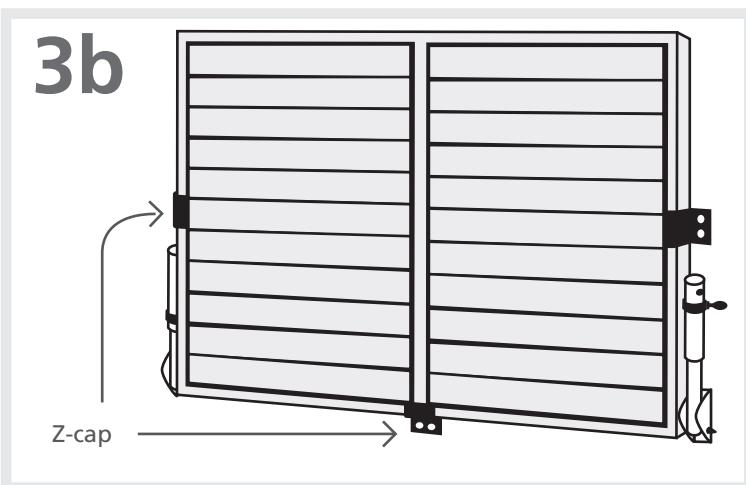
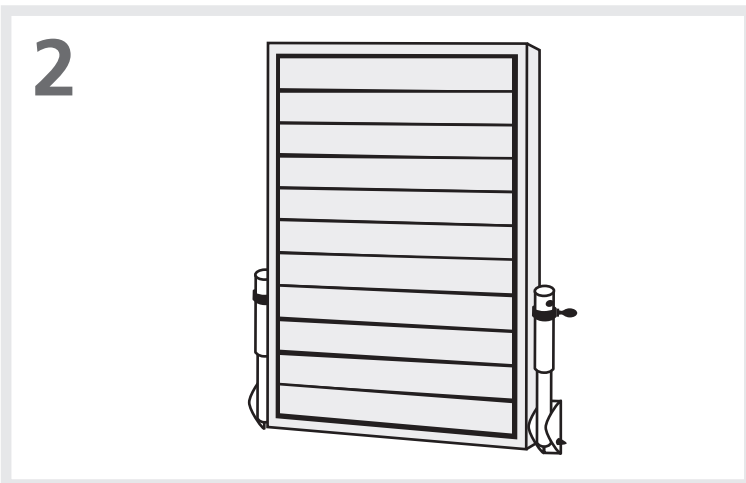
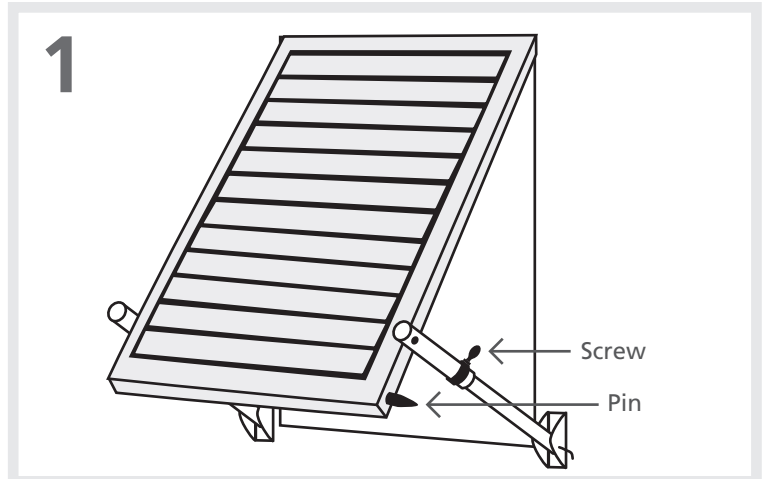


Recommended Tools:  Ladder  Power Drill  Gloves

**Follow all safety precautions when installing hurricane panels. Read directions on power tools and ladders.**

**INSTRUCTIONS:**

1. Loosen screw to slide arm over outer arm
2. Tighten screw and slide pin latch through the hole
- 3a. SMALL BAHAMAS: Add a screw to hold the lower arm in place
- 3b. LARGE BAHAMAS (57"x 88" or larger): Drill z-caps in place



**MAINTENANCE:** Little to no maintenance. If the pin latch or screw gets stuck or is tough to move use a wax to loosen such as lithium grease or silicone spray (DO NOT use an oil spray like WD40). Shutters can also be cleaned with water and mild detergent/soap. Loosen first before they try the spray.