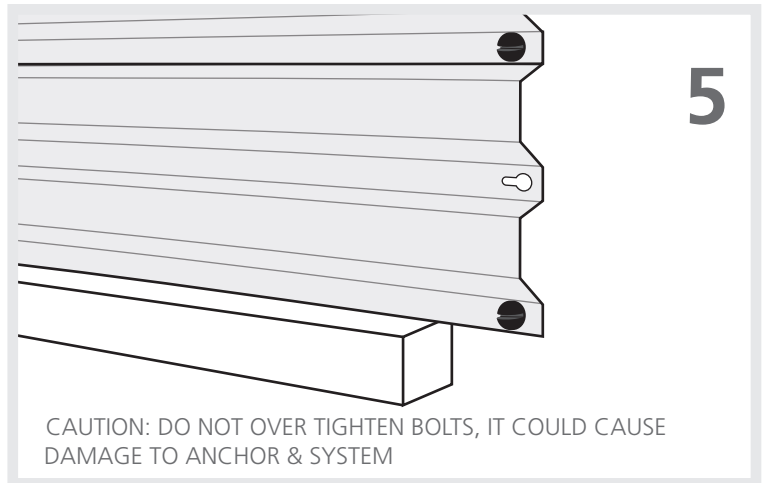
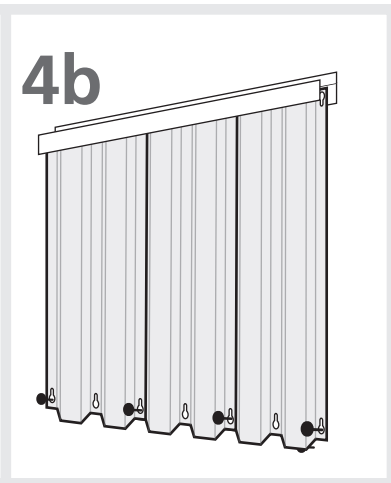
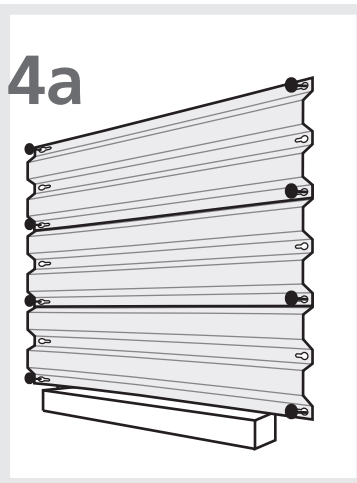
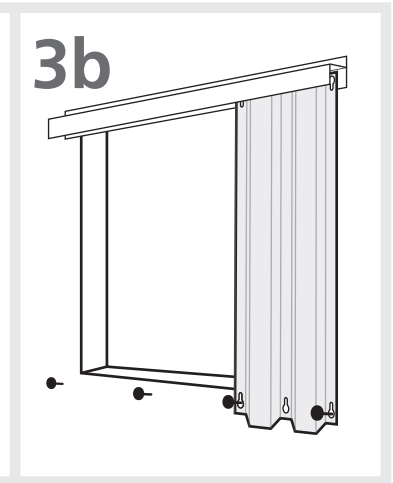
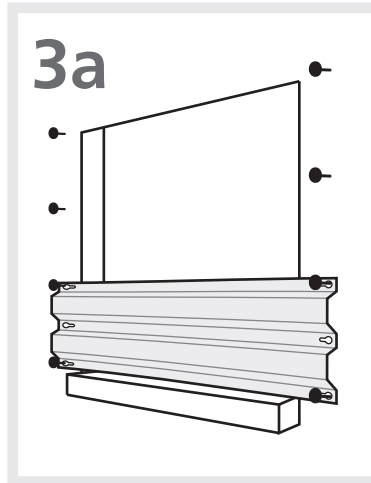
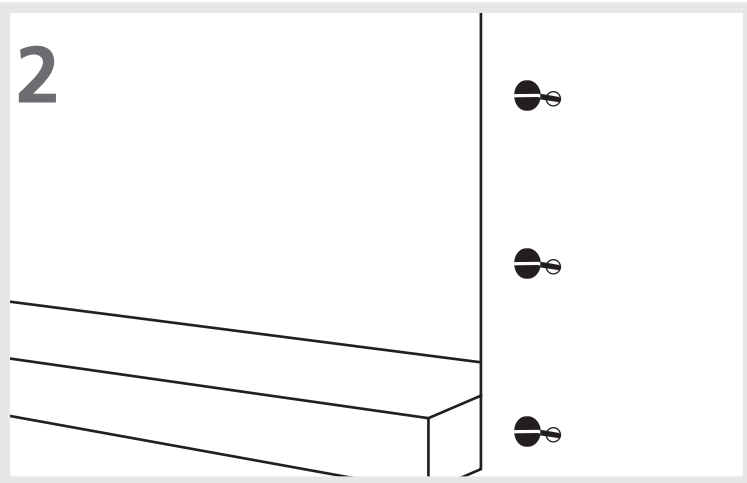
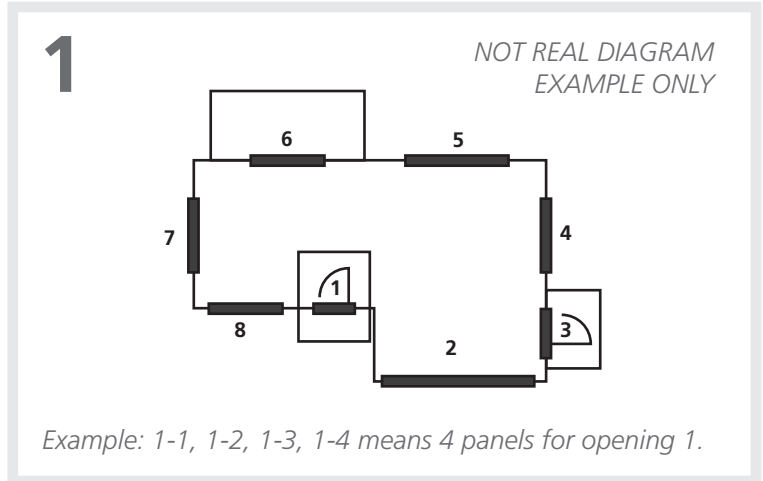


Recommended Tools:  Ladder  Power Drill  Gloves  Back Brace

**Follow all safety precautions when installing hurricane panels. Read directions on power tools and ladders.**

**INSTRUCTIONS:**

1. Place the storm panels & track next to the designated window indicated on YOUR Locator Diagram. The panels are labeled by opening and the number of panels included in each opening.
2. Back out bolts about 1/2" from the head of the screw to wall.
- 3a. DIRECT MOUNT: Slide panel over the screws.
- 3b. TRACK SYSTEM: Place storm panel in track then slide the panels over the screws.
4. The next panel will over lap the first panel and share a set of screws. Follow the same procedure until all panels for that opening are in place.
5. Tighten all bolts around opening. **DO NOT OVER TIGHTEN BOLTS, IT COULD CAUSE DAMAGE TO ANCHOR & SYSTEM**



**MAINTANENCE:** Wipe down with a wet rag once a year. Lubricate anchors once a year. All anchors should be checked once a year for sturdiness. Any loose anchors should be, removed, reset, and/or replaced.